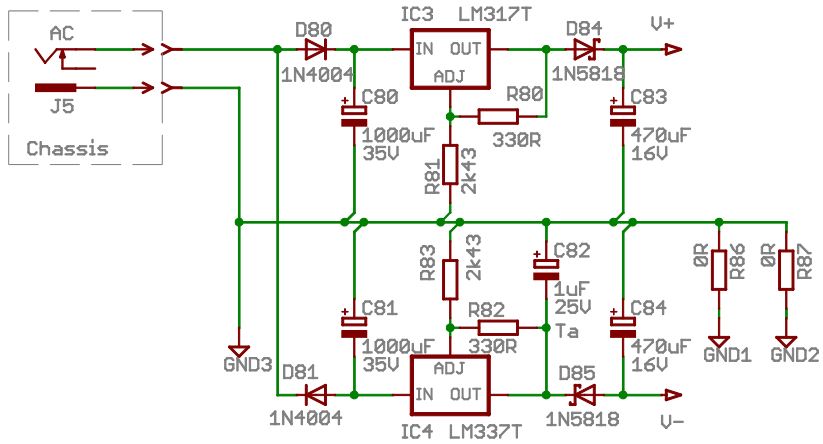


PART NUMBERS
 1-39: preamp, misc.
 40-59: power amp L
 60-79: power amp R
 80-99: power supply

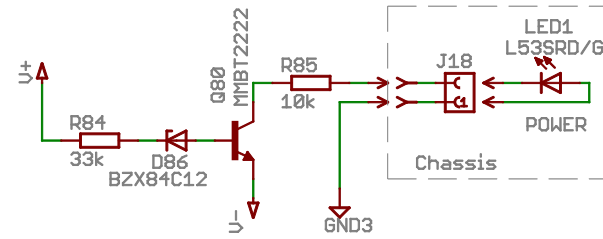
ISSUE	Cafe Walter Audio	THIS DRAWING CONTAINS PROPRIETARY INFORMATION AND SHOULD NOT BE USED WITHOUT WRITTEN PERMISSION.	© 2006
DRAWN WSH	TITLE HA-1A Headphone Instrument Amp		REV B
CHECKED	DATE 11/11/2006 02:29:10p	FILE: ha-1a-b05-periphs	
		PAGE:1/2	

AC POWER SUPPLY

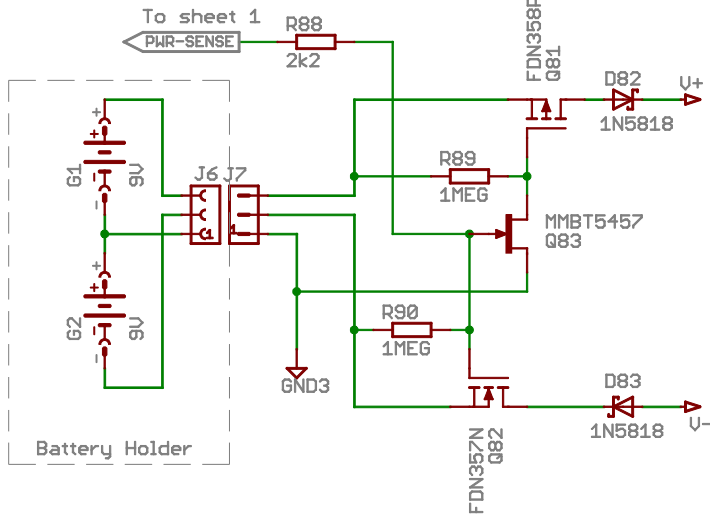


Note: D84, D85 repl with 1N4004 (7/06)

POWER MONITOR LED



BATTERY SWITCH



ISSUE	Cafe Walter Audio	THIS DRAWING CONTAINS PROPRIETARY INFORMATION AND SHOULD NOT BE USED WITHOUT WRITTEN PERMISSION.	© 2006
DRAWN	WSH	TITLE HA-1A Headphone Instrument Amp	REV
CHECKED		DATE 11/11/2006 02:29:10p	PAGE:2/2
		FILE: ha-1a-b05-periphs	